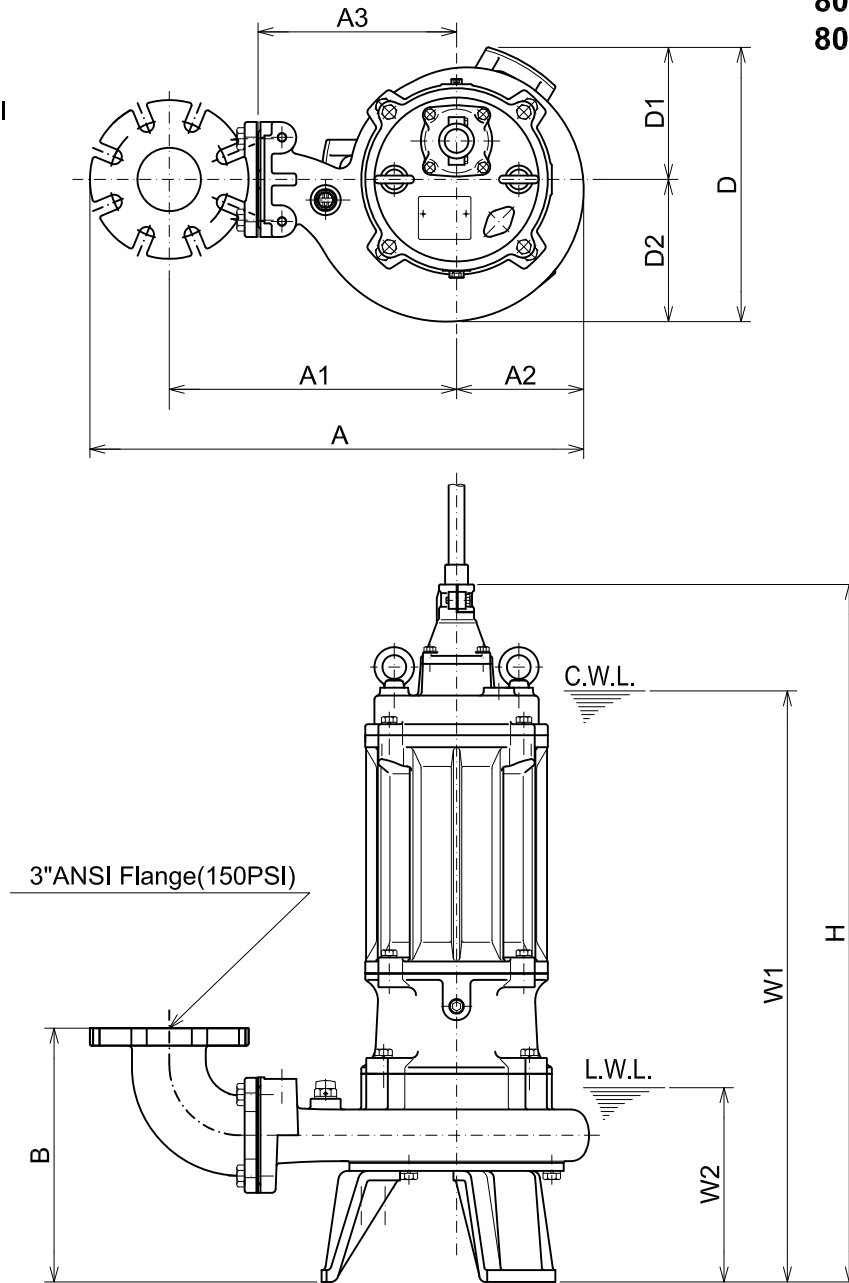


**80C25.5-CR -61  
80C27.5-CR -61**

Bend model:  
BEND80-80 ANSI



C.W.L. :Continuous running Water Level  
L.W.L. :Lowest running Water Level

**DIMENSIONS:USCS(Inch)**

Model	HP	NOM. SIZE	Pump & Motor									C.W.L. W1	L.W.L. W2	*Wt. (lbs.)
			A	A1	A2	A3	B	D	D1	D2	H			
80C25.5-CR -61	7.5	3"	24 15/16	14 5/8	6 5/16	9 13/16	12 5/8	13 9/16	6 9/16	7 1/16	34 5/8	29 3/8	9 5/8	271
80C27.5-CR -61	10	3"	24 15/16	14 5/8	6 5/16	9 13/16	12 5/8	13 9/16	6 9/16	7 1/16	34 5/8	29 3/8	9 5/8	282

\*Excluding Cable.

**DIMENSIONS:METRIC(mm)**

Model	kW	NOM. SIZE	Pump & Motor									C.W.L. W1	L.W.L. W2	*Wt. (kg)
			A	A1	A2	A3	B	D	D1	D2	H			
80C25.5-CR -61	5.5	80	633	372	160	250	320	345	166	179	879	745	245	123
80C27.5-CR -61	7.5	80	633	372	160	250	320	345	166	179	879	745	245	128